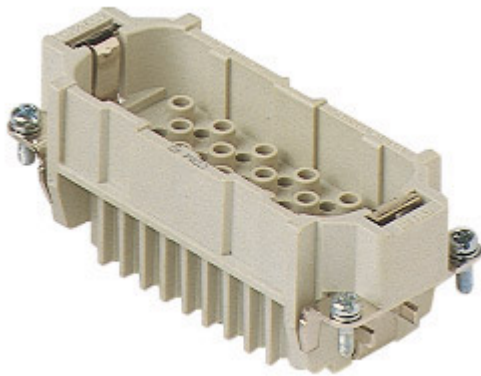


Part number

# CDM 40



## Brief description:

male insert, 40 poles + PE, crimp connections, 10A, 250V, 4kV, 3, size "77.27", CLASS insert series

Product description		Approvals / Standards	
Model	male insert	Reference standard	EN 61984 (2001-11)
Version	crimp connections	Quality mark	EAC
Series	CD	Conformity	CQC, CE
Product type	for male contacts 10A	General ordering information	
Family	CLASS inserts	EAN13 code	8015747015141
Size	size "77.27"	Tariff number	85369095
N. of poles	40 poles +	Country of origin	Made in EU (IT)
Technical data		ETIM classification	EC000438
Current	10 A (A.C. and D.C.)	Packaging Information	
Voltage	250 V	Packaging length	210,00 mm
Rated impulse withstand voltage	4kV	Packaging height	130,00 mm
Pollution degree	3	Packaging width	240,00 mm
Operating temperature range (min, max)	-40°C ... +125°C	Packaging weight	2,20 kg
Mating cycles	≥ 500	Packaging volume	6,55 dm <sup>3</sup>
IP degree of protection	IP20 without enclosure; IP65/IP66/IP67/IP68 with enclosure	Packaging description	Carton box
PE connection type	Screw	Packaging quantity	30 Pcs
PE terminal stripping length	7 mm	Packaging EAN code	8015747015158
PE wire cross-section	0,14-2,5 mm <sup>2</sup> ; AWG 26-14	Sub-packaging weight	0,37 kg
Tightening torque for PE connection	M4: 1,2 Nm, 10,6 lb.in (Ph2 or 1,0x5,5mm )	Sub-packaging description	Carton
Further technical details		Sub-packaging quantity	5 Pcs
Characteristics according to EN 61984	10A 250V 4kV 3; 10A 230/400V 4kV 2	Sub-packaging EAN barcode	8015747015165
Insulation resistance	≥ 10 GΩ		
Contact resistance	≤ 3 mΩ		
Rated voltage according to UL/CSA	600V		
UL 94 flammability rating	V-0		
Main contacts stripping length	6 - 8 mm		
Tightening torque for fixing screws	M3: 0.5 Nm; 4.4 lb.in (Ph1 or 0.8x4 mm)		
Weight	50,00 g		

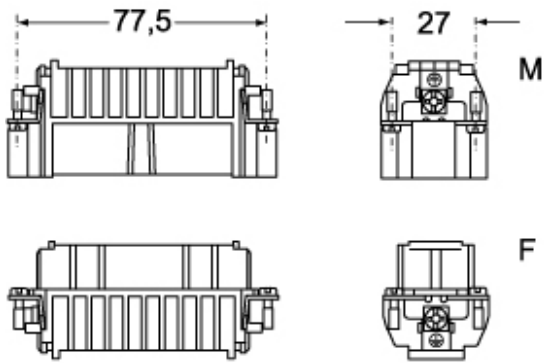
Part number

# CDM 40

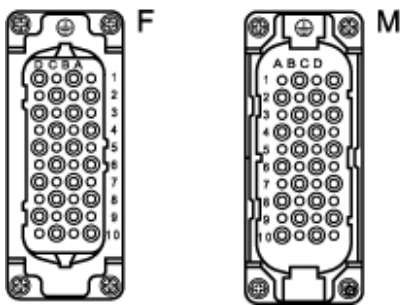


## Catalogue drawings

### CDM 40

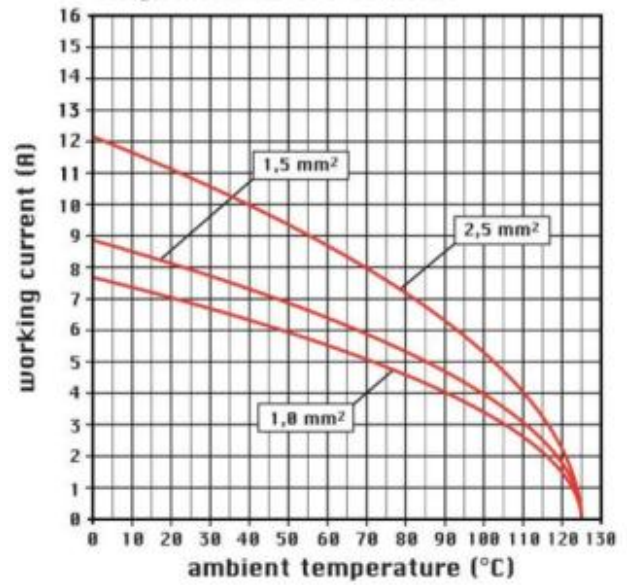


### CDF 40



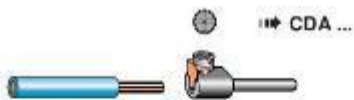
## Catalogue drawings

diagram CD 40 and 80 poles



## Notes

CDA ... : for non-prepared conductors



CDA ... X : for conductors with bush terminal